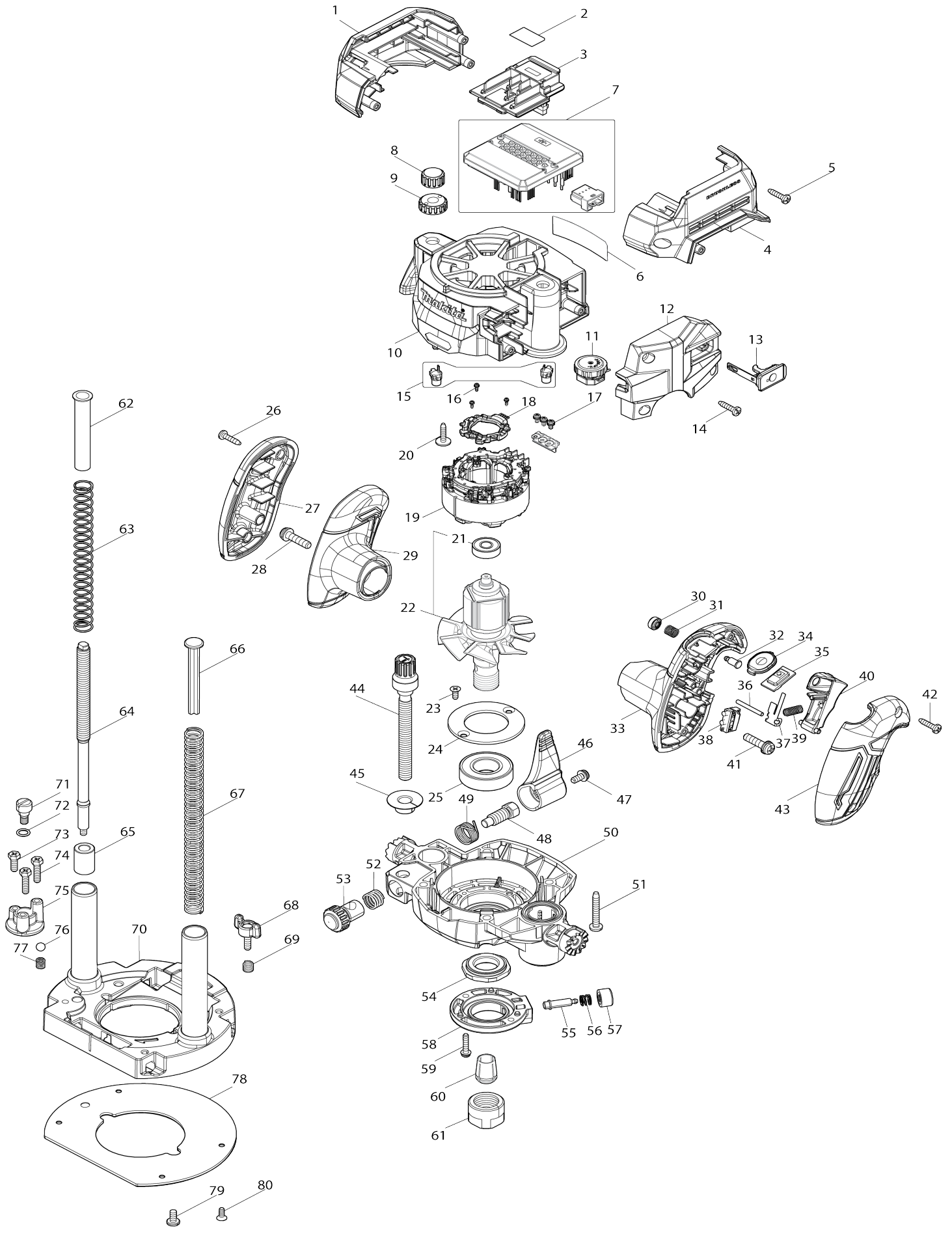


# Model No.RP001G CORDLESS ROUTER



# Model No.RP001G CORDLESS ROUTER

Item No.	Parts No.	Description
001	1830L2-6	BATTERY HOUSING SET
C10	263005-3	RUBBER PIN 6
001		INC. 4
002	8146D1-4	RP001G SERIAL NO. LABEL
003	632P65-6	TERMINAL UNIT
004	1830L2-6	BATTERY HOUSING SET
C10	263005-3	RUBBER PIN 6
004		INC. 1
005	266326-2	TAPPING SCREW 4X18
006	8146C9-1	RP001G NAME PLATE
007	620P41-2	CONTROLLER
008	252643-6	WING NUT M10
009	410129-8	NYLON NUT M10
010	137116-9	MOTOR HOUSING ASSEMBLY
011	620P09-8	DIAL CIRCUIT
012	4130A2-8	MOTOR HOUSING COVER
013	140F99-0	CAP COMPLETE
C10	213A05-9	O-RING16
014	266326-2	TAPPING SCREW 4X18
015	620P08-0	LED CIRCUIT
016	652119-7	PAN HEAD SCREW M2X6
017	652031-1	PAN HEAD SCREW M3X6
018	620P30-7	SENSOR UNIT
019	629A40-1	STATOR
020	265620-9	TAPPING SCREW FLANGE 4X18
021	210005-4	BALL BEARING 608DDW
022	519853-1	ROTOR ASS'Y
022		INC. 21
023	265135-6	+ COUNTERSUNK HEAD SCREW M4X10
024	285711-0	BEARING RETAINER 50
025	211326-7	BALL BEARING 6004DDW
026	266326-2	TAPPING SCREW 4X18
027	1830L5-0	GRIP COVER SET
027		INC. 29
028	911343-4	PAN HEAD SCREW M6X25
029	1830L5-0	GRIP COVER SET
029		INC. 27
030	4130B0-9	LOCK ON BUTTON
031	233127-3	COMPRESSION SPRING 7
032	256A77-1	COLLARED PIN 6
033	1830L4-2	GRIP COVER SET
033		INC. 43
034	142303-7	SWITCH PLATE COMPLETE
035	620P29-2	SWITCH CIRCUIT
036	256267-0	PIN 3
037	232672-5	LEAF SPRING
038	632V51-3	SWITCH UNIT

039	231372-4	COMPRESSION SPRING 5
040	4130A8-6	SWITCH LEVER
041	911343-4	PAN HEAD SCREW M6X25
042	266326-2	TAPPING SCREW 4X18
043	1830L4-2	GRIP COVER SET
043		INC. 33
044	265739-4	THUMB SCREW M10X90
045	452474-5	DEPTH POINTER
046	450950-3	LOCK LEVER
047	911213-7	PAN HEAD SCREW M5X12
048	265D65-5	SET BOLT M10
049	233538-2	TORSION SPRING 15
050	141V92-3	MOTOR BRACKET COMPLETE
051	266373-3	TAPPING SCREW 5X35
052	231231-2	COMPRESSION SPRING 12
053	153476-1	HALF NUT COMPLETE
054	285059-0	RETAINER
055	268234-3	COLLARED PIN 6
056	233072-2	COMPRESSION SPRING 8
057	450942-2	PUSH BUTTON
058	312F22-7	RETAINER COVER
059	911138-5	P.H.SCREW M4X20 WITH WR
060	763628-2	COLLET CONE 12MM
061	763629-0	COLLET NUT
062	450943-0	SILENT POLE
063	233303-9	COMPRESSION SPRING 13
064	327D67-0	SCREW M10
065	257735-6	SLEEVE 9
066	417252-0	POLE
067	232877-7	COMPRESSION SPRING 12
068	265761-1	THUMB SCREW M5X16
069	231240-1	COMPRESSION SPRING 7
070	141V93-1	BASE COMPLETE
071	251467-7	- FLAT HEAD SCREW M6
072	213030-4	O RING 8
073	265586-3	+HEX. BOLT M5X14
074	265587-1	+HEX. BOLT M5X20
075	315931-3	STOPPER
076	216022-2	STEEL BALL 7.0
077	231419-4	COMPRESSION SPRING 5
078	4130A3-6	BASE PLATE
079	265133-0	+ BINDING HEAD SCREW M5X10
080	912112-6	COUNTERSUNK HEAD SCREW M4 X10
A01	122G61-3	HOLDER ASSEMBLY
A02	122850-4	DUST NOZZLE ASS'Y
A03	345387-6	TEMPLET GUIDE 16
A04	763811-1	COLLET SLEEVE 6
A05	763812-9	COLLET SLEEVE 8
A06	781034-9	WRENCH 8-24
A07	4130A9-4	CHIP DEFLECTOR
A08	256861-8	ROD 8

A09	342428-9	STRAIGHT GUIDE
F23	194367-7	GUIDE RAIL 3000 SET
F24	194368-5	GUIDE RAIL 1400 SET
F28	194925-9	GUIDE RAIL 1900 SET
F37	199140-0	GUIDE RAIL 1000 SET
F38	199141-8	GUIDE RAIL 1500 SET